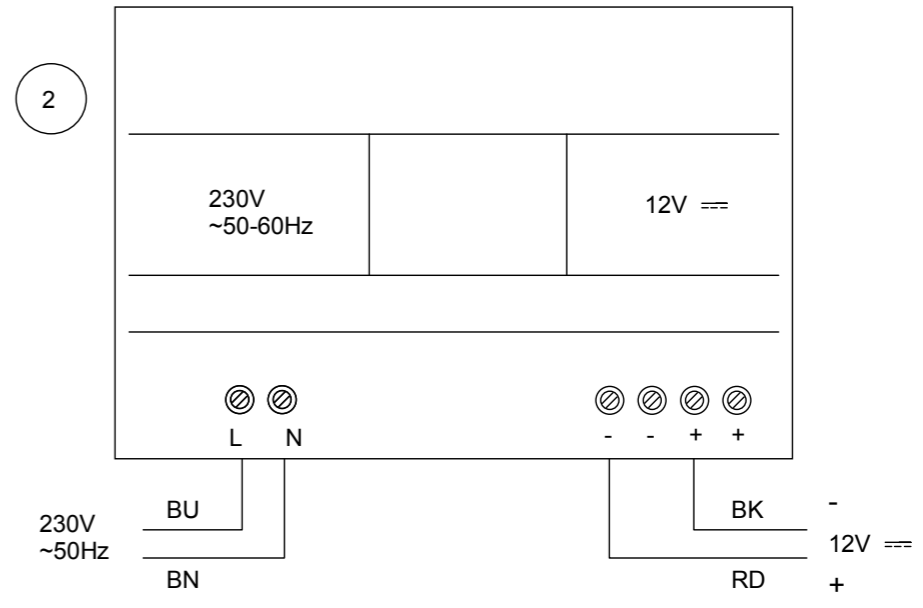
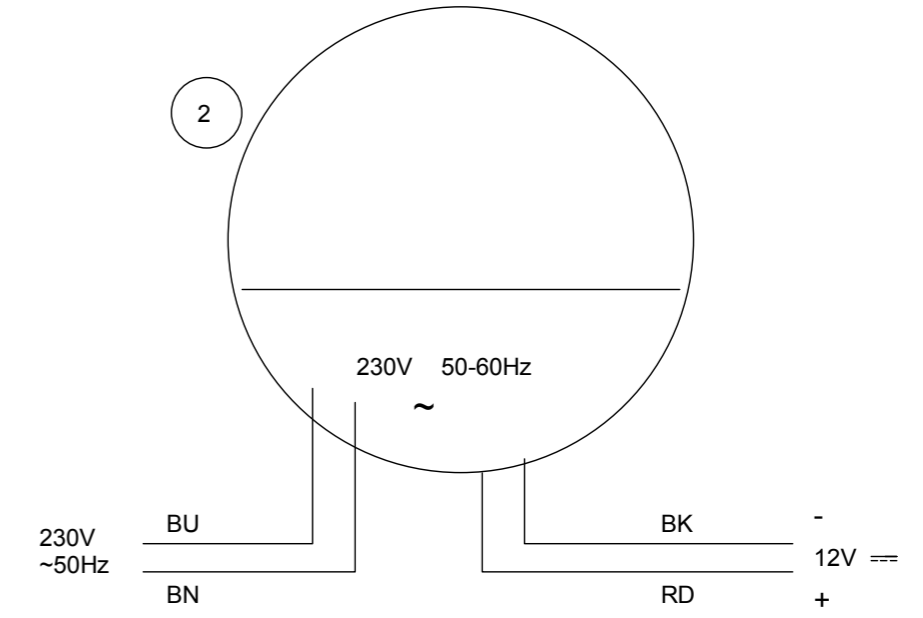
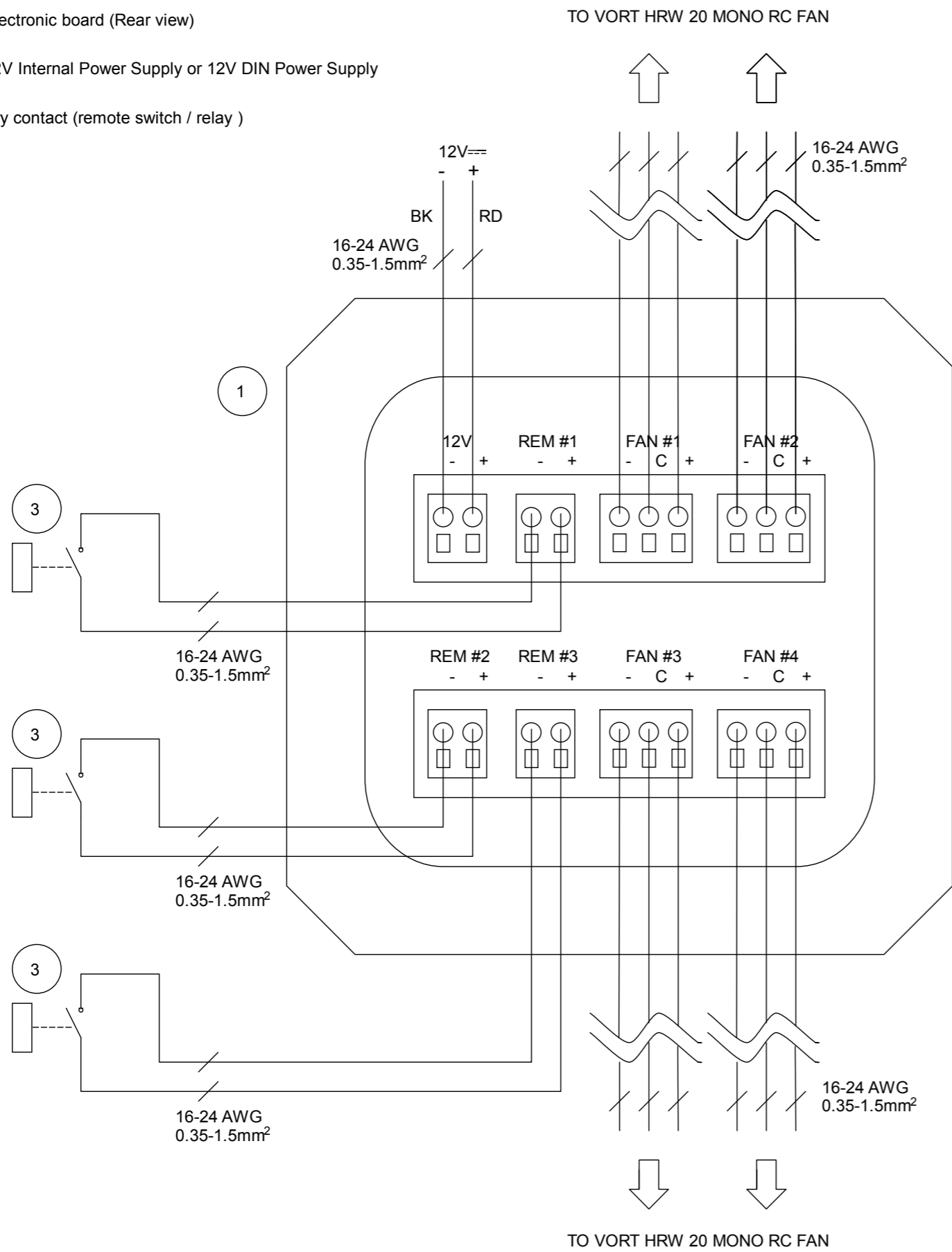


- 1 Electronic board (Rear view)
- 2 12V Internal Power Supply or 12V DIN Power Supply
- 3 Dry contact (remote switch / relay)



Wires color code
BK=black
BU=blu
BN=brown
GNYE=yellow/green
RD=red
WH=white
YE=yellow
VT=violet

	Data emissione revisione 22/05/2015	Data: 22/05/2015 Disegn: RS/UT Controllo: Visto:	Fornitore
	Ninfo N. 97/2017 Descrizione REV.A: Emissione		
Codice Grezzo		Codice Finito 9.993.000381	
Descrizione		Descrizione REMOTE CONTROL HRW 20 D Wiring diagram	
Disegno N. E960381A		1/1	

This drawing is property of VORTICE ELETTROSOCCIALI SpA. Without the written permission of VORTICE ELETTROSOCCIALI SpA the drawing may not be used to construct the object represented, nor be shown to third parties or otherwise reproduced. VORTICE ELETTROSOCCIALI S.p.A. will protect exclusively rights under the law.